

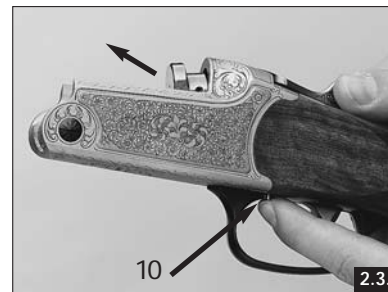
K 95

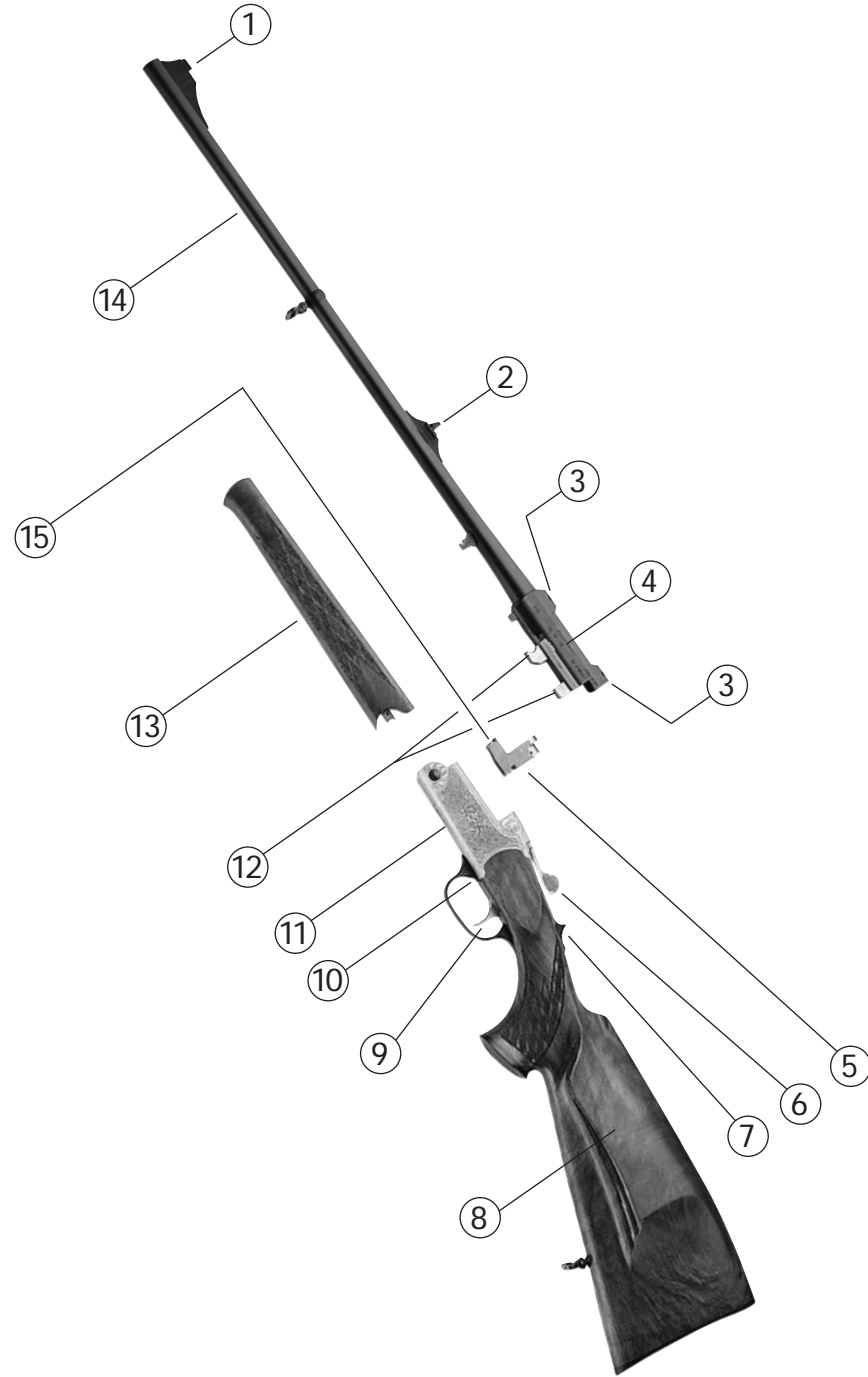
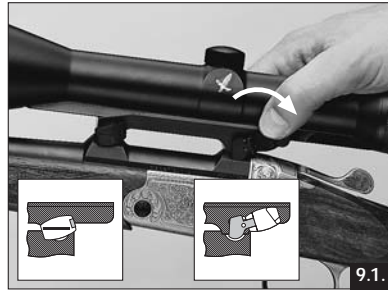
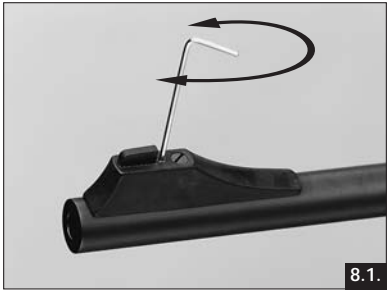
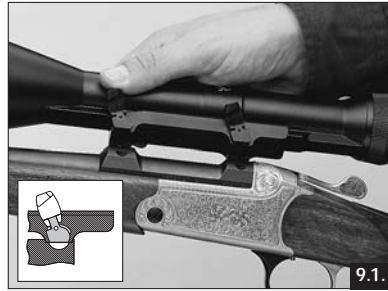


Blaser

Blaser

Blaser Jagdwaffen GmbH
D-88316 Isny
Germany





12. Warranty Conditions

1. Manufacturer's warranty

Warranty of Blaser Jagdwaffen GmbH is provided in addition to statutory warranty claims by dealers, provided, that the enclosed firearms certificate is filled in completely and received by Blaser Jagdwaffen GmbH within ten days after the date of sale. Warranty is provided exclusively for the first purchaser having his residence in the country of purchase.

The warranty applies to the metal and plastic parts of the rifle only, including original Blaser rifle scope mounts, but not the rifle scope. Wooden parts of the rifle require special care and, being natural products, are subject to natural changes. Warranty for wooden parts is excluded.

The warranty period amounts to ten years, starting with the date of sale. It includes any defects of and damages to the rifle (metal and plastic parts), which are proven to be due to faulty material or manufacturing. Within this framework, the manufacturer shall bear the costs for material and working time. For performance of work under this warranty, the rifle has to be returned to the specialised dealer or the production company in Isny.

Risk and costs of transportation of the rifle (outward and return) shall be borne by the customer. Warranty is performed in the discretion of manufacturer by repair or replacement of defective parts; replaced parts pass into manufacturer's property.

2. Warranty for gun efficiency

The firing precision of a gun depends on a multitude of factors. The most important factor is the ammunition. Not every barrel fires equally well with every type of ammunition, there may be considerably differences in efficiency. The scope and its mount are of the same importance. Parallax, loose reticles, defects in reticle adjustment and faulty mounting are the most common causes for unsatisfactory gun efficiency. For these reasons, you should use branded scopes, mounted by a specialist, and you should tune in the ammunition to your rifle by testing several types of ammunition.

Ammunition of the same make and charge may exhibit different efficiency and impact point characteristics from one manufacturing run to the other and from one rifle to the other.

When the optimum of ammunition, rifle scope and mount were selected, we provide a warranty for the excellent efficiency of our rifles.

Complaints regarding gun efficiency have to be brought forward in writing within 20 days after the date of sale. We reserve the right to submit the rifle to an independent institution for verification (DEVA or Staatliches Beschussamt) [government proofhouse]. If excellent gun efficiency is confirmed there, we are entitled to claim the costs incurred for the tests from customer.

3. Scope of warranty

Work performed under warranty does not cause any prolongation or renewal of the warranty period for the rifle or built in spare parts. The warranty period for installed spare parts ends at the same time as the warranty period for the entire rifle.

4. Guarantee exclusion

The guarantee shall be excluded with:

- Damage that is caused as the result of normal wear and tear, with non-observance of the operating instructions or improper use or handling and if the gun shows mechanical damages of any kind.
- Damages that are the result of force majeure or environmental influences
- Repairs, treatment or changes to the gun performed by third parties
- Use of reloaded or non-CIP-permitted ammunition
- Blueing carried out by a third party

The guarantee does not apply for optical sight equipment and telescopic sight mounts of manufacturers other than Blaser Jagdwaffen GmbH. More extensive or other claims, especially those that refer to compensation for damages that go beyond the gun itself (consequential damages) shall be excluded (provided liability is not legally ordered as compulsory).

Description of Parts

1	Foresight	8	Buttstock
2	Rear sight	9	Trigger
3	Seats for original Blaser saddle mount (DBP)	10	Block lock
4	Indication of model and calibre	11	Receiver
5	Breech block	12	Barrel hook
6	Locking lever	13	Forearm
7	Safety slide (cocking slide)	14	Barrel
		15	Shaft bearing

Table of Contents

	Page
Description of Parts	1
General Safety Rules	2/3
1. Assembly of the Rifle	4
2. Disassembly of the Rifle	5
3. Opening and Closing the Rifle	6
4. Safety	7
5. Loading the Rifle	8
6. Firing	8
7. Unloading the Rifle	9
8. Open Sights	9
9. Mounting of Scope	10
10. Case	11
11. Care and Maintenance	11
12. Warranty Conditions	12

General Safety Rules

Your new Blaser breakdown rifle K 95 is characterised by special design features, making it very different from other breakdown rifles. The enhanced safety features of your Blaser rifle however, should never induce you to ignore the necessary care and legal provisions with respect to handling arms.

Please check first, whether you have the correct operating instructions: The model name K 95 and the calibre indication are marked on the left side of the barrel, at the back.

CAUTION:

Please read these operating instructions completely, before using the rifle. Only hand on the rifle together with the operating instructions.

Please ask your specialised dealer for an in-depth explanation of your rifle and instruction in its use, as a supporting measure to these operating instructions.

General safety rules for handling firearms

- Ensure that firearm and ammunition never pass into the hands of unauthorised persons.
- Always keep firearm and ammunition separate, in a secured unit and inaccessible to unauthorised persons.
- Observe applicable legal provisions for carrying and storing arms and ammunition.
- Familiarise yourself thoroughly with the handling of your firearm and practise all functions and actions with the firearm unloaded, before starting to carry and use it.
- Consider every firearm as loaded and ready to fire, unless you have convinced yourself of the contrary by opening the action and checking the chamber (barrel). Even when unloaded, a firearm has to be handled like a loaded firearm.
- During any handling, always hold the muzzle in a direction where you can neither jeopardise nor damage persons or property.

General Safety Rules

- Before loading the firearm, always check, whether there are oil residues or other foreign matter in the chamber or barrel. Oil residues in chamber or barrel may cause distinct shifts in the point of impact! Foreign matter in the barrel (e.g. water, snow, soil) may cause a detonation of the barrel, leading to severe injuries of the shooter or persons in the vicinity! Ensure that no foreign matter can enter the barrel, also during use!
- Only use ammunition which meets the CIP requirements, in particular with regards to the maximum gas pressures P_{max} according to CIP regulations. Every Blaser rifle is controlled and tested by the state proof-house according to the requirements of the proofing-law and -regulations, using proof cartridges exceeding the maximal allowed gas pressure P_{max} by a minimum of 30%. If gas pressures exceed proof-level, the safety of the user and/or third parties can no longer be guaranteed. The same applies to cartridge cases, where the seal function is no longer correct through obturation.
- Load your firearm only immediately before use.
- Disengage from safe position (cock) your firearm only immediately before shooting. Hold barrel into a direction out of danger during disengaging (cocking).
- Check the surrounding area, before every shot.
- Point your firearm only at a target, which you have clearly identified.
- Only put your finger on the trigger, when you want to shoot.
- Only fire a shot, when a secure back stop exists.
- When a cartridge fails, wait approx. 60 seconds before opening the action, to avoid danger through hang-fire.
- Wear hearing protection during shooting.

Unload your firearm:

- before crossing obstacles,
- before climbing and leaving raised hides,
- before entering a building,
- before climbing into a vehicle,
- before entering a built area,
- and also, when you lay down or hand on the firearm temporarily.

1. Assembly of the Rifle

1.1. Securing barrel

(Only possible with forearm removed)

- Pull out extractor all the way to the stop. Do not touch locking lever.
- Seat the front barrel hook onto the hinge bolt. Due to the tight fit, this requires care.
- Grip around barrel hook part and receiver with one hand, press barrel hook into its seat, closing the rifle.

CAUTION:

The breech block must be in its correct position (slightly inclined forwards). Should the block be in vertical position, the barrel cannot be closed. In this case, press the locking lever all the way to the right and, with your other hand, return the breech block into its forward inclined position.

NOTE:

Securing the barrel requires a certain amount of skill. Do not use force! We suggest having this procedure demonstrated by an expert and practise several times in his presence.

1.2. Installing forearm

- Engage forearm on hinge bolt, flush with the receiver, and tilt it onto the barrel, until it reaches the stop.
- The best manner to do this is to lift the forearm shutter with your index finger and hold it in this position.
- Press in forearm.
- The forearm flap engages.
- Close the forearm flap completely. The forearm is now locked.

2. Disassembly of the Rifle

CAUTION:

Unload your rifle before disassembly (refer to page 9).

2.1. Removing forearm

- Support the rifle at the buttstock on your thigh.
- Pull forearm flap out with a finger of one hand, and disengage forearm from the barrel by pressing with the fingers of your other hand.
- Tilt forearm away from barrel at a slight angle and pull it up, removing it from the hinge.

2.2. Removing barrel

(Only possible with forearm removed)

Press locking lever all the way to the right and hold it in this position.

Tilt barrel all the way down.

Doing so, the barrel hook is disengaged.

2.3. Removing breech block

(with barrel unhinged)

This is only necessary, when you want to thoroughly clean the rifle or safeguard it against unauthorised use by removing the breech block.

- Press block lock (10), located beside the trigger, and keep it pressed down.
- Now press the locking lever simultaneously to the right, until breech block disengages.
- When disengaging, the block snaps forward a little and can now be removed, accessing it from the front.

2.4. Reinstalling breech block

- Put breech block with the semicircular shaft bearing (15) onto the shaft in the bottom of the receiver and tilt it backwards.
- Press block lock (10), located beside the trigger, and keep it pressed down. Now, the locking lever can be pushed all the way to the right (a bit further than for opening the rifle).
- Hold locking lever in this position; you may reengage the breech block (10) now.
- Now press the breech block at its rear end down into the receiver and release the locking lever.

NOTE:

If you tilted the breech block all the way to the back into its locked vertical position during installation, push the locking lever (without pressing block lock (10)) to the right again and allow the block to snap back into its position of a slight forward inclination, by pushing it slightly forward. In this position, the rifle can be fired.

3. Opening and Closing the Rifle

3.1. Opening the rifle

- Press locking lever all the way to the right and hold it in this position.
- The barrel hook is disengaged.
- The barrel can now be tilted downwards ("opened").

3.2. Closing the rifle

- Do not touch locking lever.
- Hold the barrel pointing in a safe position and tilt buttstock upward. The breech block engages in the barrel and is locked by the breech wedge.
- To check whether the locking lever is closed, apply light pressure to the left. Otherwise, disengaging from safe position (cocking) of the rifle will not be possible, for safety reasons.
- Mainly in new rifles, some force has to be exerted in order to close the locking lever. This is due to the tight, precise fits. The wedge "pulls".

CAUTION:

The breech block must be in its slightly inclined forward position. If in a vertical position, the rifle cannot be closed any more. In this case, press the locking lever all the way to the right and, with your other hand, return the breech block into its position of an inclination to the front.

4. Safety

The safety system of the Blaser K 95 is based on an uncocked firing pin spring. The firing pin spring is cocked with the safety slide (cocking slide) immediately before the shot.

4.1. Disengaging from safe position (cocking)

- Push the safety slide (cocking slide) all the way to the front, until it locks.

Safety slide (cocking slide) in front position:

The rifle is disengaged from safe position, the hammer is cocked.

4.2. Returning to the safe position (locking/uncocking)

Simply pull safety slide (cocking slide) backwards with your thumb against a light resistance, and let it slide backwards. With some practise, this can be done without making a sound.

When the safety slide (cocking slide) is in its rear position:

The rifle is locked, the hammer is uncocked.

CAUTION:

Under no circumstances should you put your fingers into the trigger when locking (uncocking) your rifle (you may be used to do this from rifles with exposed hammers). This would trigger a shot, when the rifle is loaded!

NOTE:

When opening the rifle - pressing the locking lever to the right - the safety slide (cocking slide) jumps back into the "safe" (uncocked) position automatically.

5. Loading the Rifle

5.1. Loading the Rifle

- Remove oil from barrels and chambers and check them for foreign matter.
- Convince yourself under all circumstances that the ammunition corresponds with the calibres of your rifle.
- Insert the appropriate cartridges into the chambers.
- Close the rifle.

6. Firing

6.1. Firing

- Cock the rifle by pushing the safety slide (cocking slide) forward.
- Sight at target and fire.

NOTE:

After firing a shot, the safety slide (cocking slide) will remain in its front position. When the locking lever is pushed to the right before breaking the rifle, the safety slide (cocking slide) jumps back into the position "safe (uncocked)" automatically.

CAUTION:

The Blaser K 95 is equipped with a direct pull trigger. The setting of the trigger pull can and may only be changed at the factory.

NOTE:

Please check the trigger regularly for smooth movement, with the rifle unloaded and locked (uncocked).

Gummy oil and/or contaminations may affect proper functioning of the trigger and cause malfunctions.

7. Unloading the Rifle

7.1. Unloading the Rifle

- Open the rifle.
- When breaking the barrel, the cartridge is pulled out by the extractor far enough to be taken out fully by hand.

8. Open Sights

Considering differing sighting habits and requirements, the rifle is zeroed-in over open sights at the factory with approximate precision only. Precise zeroing-in by adjusting foresight and rear sight should be performed by yourself, together with your specialised dealer, in order to adjust the sights precisely to your personal requirements.

8.1. Foresight with elevation adjustment

- Insert Allen key SW 1.5 into the bore in the front end foresight base from above and turn Allen screw as needed:
- Foresight (spring-supported) Turning screw outwards = shooting deeper, Turning screw inwards = shooting higher.

8.2. Rear sight (sight) with lateral adjustment

- The rear sight leaf is provided with bores at the left and right side for an Allen key SW 1.5.
- **When shooting to the left:**
Loosen right Allen screw,
Tighten left Allen screw.
- **When shooting to the right:**
Loosen left Allen screw,
Tighten right Allen screw.

9. Mounting of Scope

The Blaser K 95 has been prepared for installation of the Original Blaser saddle mount (DBP). We assume that your scope has been mounted correctly on the appropriate barrel by your specialized dealer.

9.1. Installing scope

- Open lid of rear and front mount lever and ensure that both are swivelled all the way to the front /up.
- Hold rifle at the forearm with your left hand, support buttstock on your thigh.
- Hold scope with your right hand at the centre tube, above the mount, so that you can reach the front lever with your thumb.
- Insert the two round studs at the scope mount carefully into the two oval holes sunk into the upper right side of the barrel, tilt scope to the left onto the barrel and hold it in this position.
- Press the (opened) mount levers, first the one in front and then the one in the back, backwards/downwards with your thumb, until they reach their stop position (tension!). If this is too easy or requires a lot of force, the mount is maladjusted. Have your dealer correct this according to works instructions.
- Now close the two lids of the mount levers.

Please ensure that the engaging surfaces are clean and free from grease.

9.2. Removing scope

- Hold rifle at the forearm with your left hand and support it on your thigh.
- Open both lids of the mount levers.
- First swivel the rear lever with your thumb all the way to the front/up until it reaches the stop.
- Grip scope with your right hand at the centre tube and hold it.
- Now swivel the mount lever in front with your thumb all the way to the front/up until it reaches the stop.
- Tilt scope to the right and remove it.

CAUTION:

If the distance between eye and scope is too short and if the rifle is not seated correctly at your shoulder, injuries are not to be excluded when shooting with large calibres.

10. Case

The double-shell special ABS transportation case with three locks offers appropriate storage for the Blaser K 95, plus exchange barrel, 2 scopes and accessories, when travelling.

Rifle case A

For all Blaser single shot rifles and Blaser bolt action rifle R 93, forearm disassembled, with scope.

External dimensions LxWxH: 70x26x9 cm

Rifle case C

For all Blaser single shot rifles and Blaser bolt action rifle R 93, forearm assembled. With additional compartments for exchange barrel and second scope.

External dimensions LxWxH: 78x35x9 cm

11. Care and Maintenance

Only use products for the care of your rifle, which are destined for this purpose.

Barrel: Polish exterior and interior of chamber and barrel with a suitable gun oil after shooting, before storing the rifle for prolonged periods of time, and after carrying the rifle, especially in humid or wet conditions. Prior to shooting, barrel and chamber have to be thoroughly de-oiled again. In case of thick deposits of bullet residues, we recommend to use chemical barrel cleaners.

CAUTION:

Under all circumstances, observe instructions and warnings given by the product manufacturer for use of product.

Metal parts: Keep all metal parts of the rifle clean and slightly oiled at all times.

Stock preservative is not suitable for polishing metal parts!

Stocks: All wooden stocks of Blaser hunting rifles are oil-rubbed. We recommend to polish them regularly with standard stock care products.

Gun oil is not suitable for stock care!

Optics: Please refer to care instructions of the optics manufacturer.

CAUTION:

When oiling hunting rifles, care has to be taken that no oil or grease gets into the trigger and action system. Under certain conditions, oil and grease can resinify (harden), causing dangerous disruptions of functioning. Please have your rifle checked by your specialised dealer prior to each hunting season or hunting trip. Every rifle is a piece of technical equipment requiring regular checks.